

**Cascadable Amplifier
5 to 700 MHz**

A611/ SMA611

V2

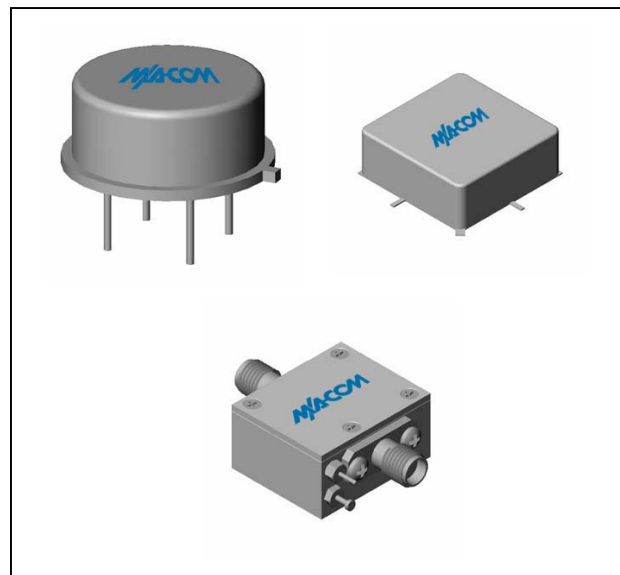
Features

- LOW NOISE FIGURE: 3.2 dB (TYP.)
- HIGH EFFICIENCY: 31 mA (TYP.) at +5 Vdc
- HIGH OUTPUT POWER: +12.5 dBm (TYP.)

Description

The A611 RF amplifier is a discrete thin film hybrid design, which incorporates the use of thin film manufacturing processes for accurate performance and high reliability. This single stage bipolar transistor feedback amplifier design displays impressive performance over a broadband frequency range. An active DC biasing network is used for temperature-stable performance, in addition to an RF Choke, used for power supply decoupling. Both TO-8 and Surface Mount packages are hermetically sealed, and MIL-STD-883 environmental screening is available.

Product Image



Ordering Information

Part Number	Package
A611	TO-8
SMA611	Surface Mount
CA611	SMA Connectorized

Electrical Specifications: $Z_0 = 50\Omega$, $V_{CC} = +5 V_{DC}$

Parameter	Units	Typical	Guaranteed	
		25°C	0° to 50°C	-54° to +85°C*
Frequency	MHz	2-700	5-600	5-600
Small Signal Gain (min)	dB	15.0	14.0	13.5
Gain Flatness (max)	dB	±0.2	±0.6	±0.8
Reverse Isolation	dB	20		
Noise Figure (max)	dB	3.2	3.8	4.5
Power Output @ 1 dB comp. (min)	dBm	12.5	11.0	10.5
IP3	dBm	+24		
IP2	dBm	+30		
Second Order Harmonic IP	dBm	+36		
VSWR Input / Output (max)		1.4:1 / 1.4:1	1.8:1 / 1.8:1	1.9:1 / 1.9:1
DC Current @ 5 Volts (max)	mA	31	34	36

Absolute Maximum Ratings

Parameter	Absolute Maximum
Storage Temperature	-62°C to +125°C
Case Temperature	125°C
DC Voltage	+10 V
Continuous Input Power	+10 dBm
Short Term Input power (1 minute max.)	50 mW
Peak Power (3 µsec max.)	0.5 W
"S" Series Burn-In Temperature (case)	125°C

Thermal Data: $V_{CC} = +5 V_{DC}$

Parameter	Rating
Thermal Resistance θ_{jc}	185°C/W
Transistor Power Dissipation P_d	0.123 W
Junction Temperature Rise Above Case T_{jc}	23°C

* Over temperature performance limits for part number CA611, guaranteed from 0°C to +50°C only.

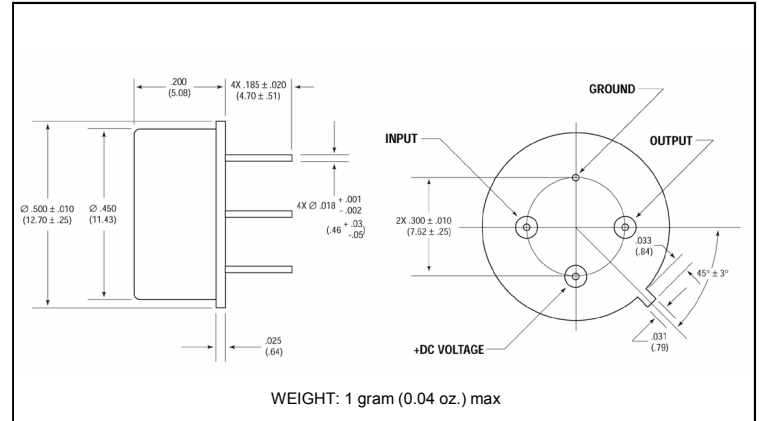
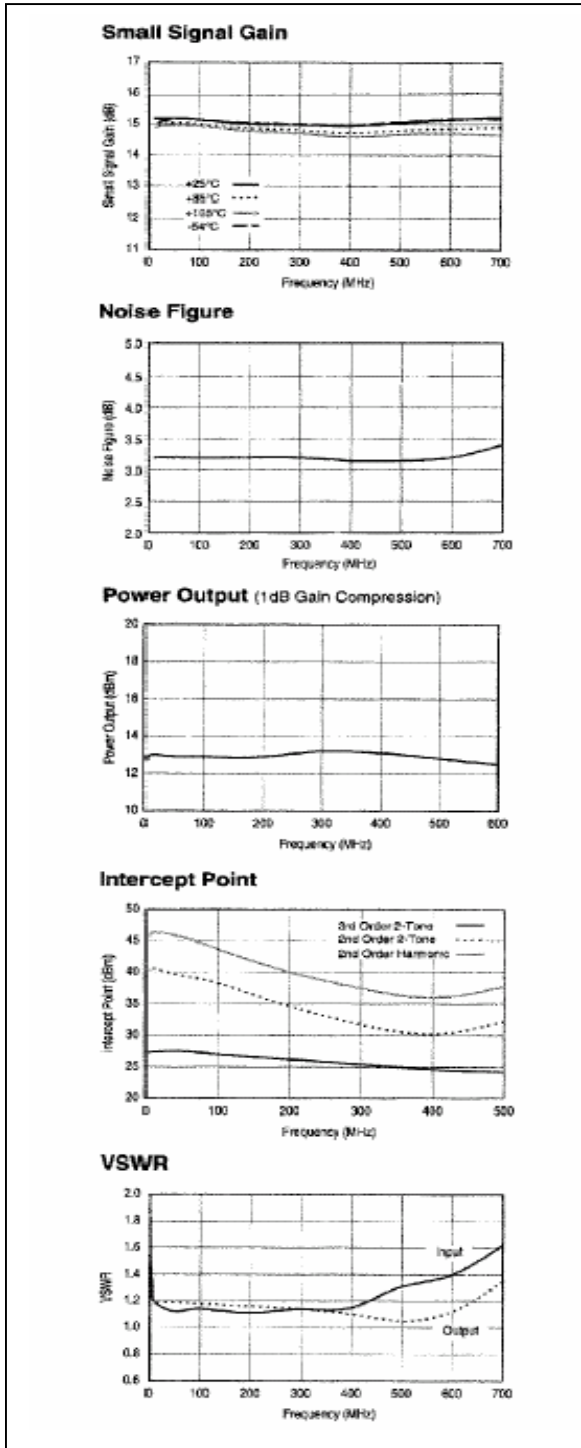
**Cascadable Amplifier
5 to 700 MHz**

A611/ SMA611

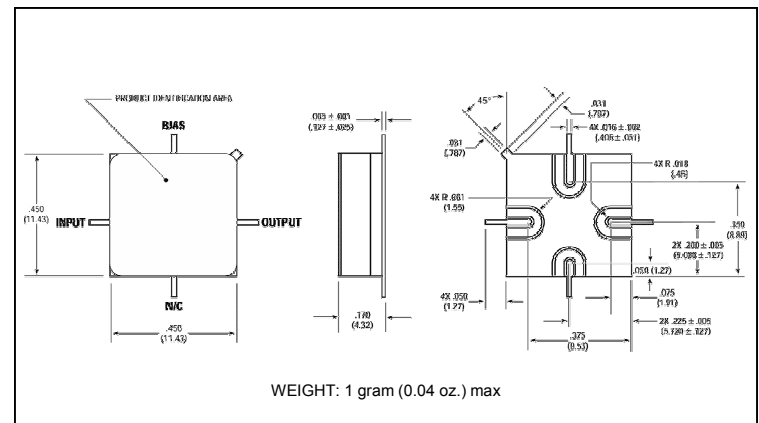
V2

Typical Performance Curves at +25°C

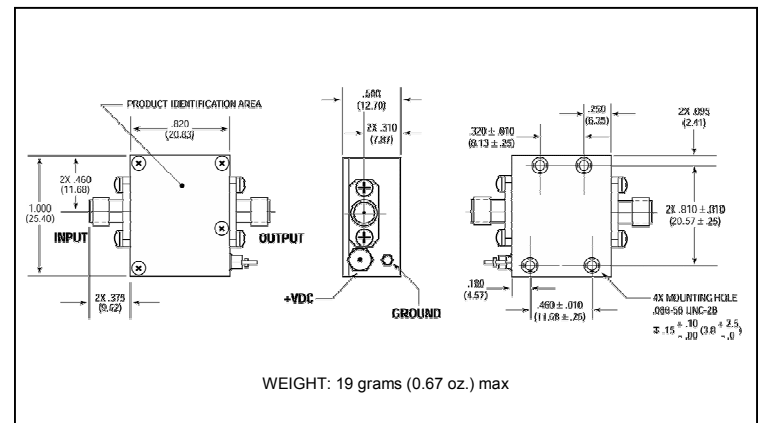
Outline Drawing: TO-8 *



Outline Drawing: Surface Mount *



Outline Drawing: SMA Connectorized *



* Dimensions are inches (millimeters) ±0.015 (0.38) unless otherwise specified.